

OPERATION and SERVICE MANUAL BARIATRIC STRETCHER

MODEL: 1190

THE SERIAL NUMBER WILL BE FOUND ON THE LOWER FRAME AT THE FOOT
END. RECORD THE NUMBER BELOW:



SERIAL NUMBER: _____ DATE OF PURCHASE: _____



ConvaQuip Ind., Inc.
P.O. Box 3417
Abilene, TX U.S.A.
800-637-8436 / Fax 325-677-7217
www.convaquip.com

TABLE OF CONTENTS

CONTENTS		PAGE
1.0	IMPORTANT INSTRUCTIONS	3
2.0	GENERAL WARNINGS AND PRECAUTIONS	3
3.0	MODEL 1190	4
4.0	OPERATING THE STRETCHER	4
4.1	OPERATION OF STEERING/BRAKING	4
4.2	APPLYING THE BRAKES	5
4.3	RAISING THE HYDRAULIC FOWLER	6
4.4	LOWERING THE HYDRAULIC FOWLER	6
4.5	SIDERAIL OPERATION	6
4.6	I.V. SOCKETS AND ACCESSORY SOCKETS	7
5.0	CARE OF STRETCHER	7
5.1	CARE OF MATTRESS COVER	7
5.2	CARE OF METAL SURFACES	7
5.3	CARE OF MOVING PARTS	7
5.4	MAINTENANCE	7
5.5	BRAKE PAD ADJUSTMENT	8
5.6	BRAKE PEDAL	8
6.0	PARTS LIST	9
7.0	LIMITED WARRANTY	10

1.0 IMPORTANT INSTRUCTIONS

Safety First: The primary concern of ConvaQuip, Inc. is that this equipment be operated and maintained with the safety of the user in mind. To assure safe and reliable operation:

1. Read this manual before operating your equipment or installing accessories.
2. It is the responsibility of the purchaser to assure that appropriate personnel are informed on the contents of this manual.
3. Be sure that you understand the instructions contained in this manual before attempting to operate this equipment.
4. This manual should remain permanently affixed to this equipment.

2.0 GENERAL WARNINGS

Throughout this manual there are warnings that call attention to particular procedures. The items are used as follows:



WARNING

A **WARNING** is used for an operating procedure, practice, or condition which, if not followed correctly, could result in personal injury.

For your personal safety and that of your personnel, WARNINGS are repeated here. Become thoroughly familiar with them and observe them at all times.

1. Failure to properly install accessories could result in personal injury or equipment damage.
2. Failure to engage the steering swivel lock while transporting patients could result in personal injury or equipment damage.
3. Failure to seek assistance when transporting patients up and down inclines could result in loss of control and subsequent personal injury or equipment damage.
4. Failure to make sure the stretcher does not roll with the brakes engaged could result in personal injury or equipment damage.
5. Failure to engage the brakes when the stretcher is unattended could result in personal injury or equipment damage.
6. Patients should not enter, "sit-on" or exit the the stretcher at the foot or head end of stretcher. The patient should be centered within the litter top at all times. Never set patient on any edge of stretcher while making stretcher adjustments. This may result in personal injury or equipment damage.
7. NEVER exceed the weight limit of 1000 lbs. Exceeding weight limit may cause personal injury or equipment damage.
8. Failure to use side rails and not testing the latch could result in personal injury.
9. Failure to visually inspect static chain and verify that it is touching floor could result in personal injury or equipment damage.

3.0 MODEL 1190

The fowler backrest is adjustable from 0 –90°.

This stretcher is equipped with a central steering and braking system operable from any corner of the stretcher. This facilitates patient transport. Mattress thickness is 4 inches. The construction is high density foam with a sewn cover of nylon material.

4.0 OPERATING THE STRETCHER

Operation of all features and functions prior to usage is essential to ensure that stretcher was not damaged in transit.

4.1 OPERATION OF STEERING/BRAKING

Steering is accomplished by locking the right foot caster in the trailing position. To lock this caster in the trailing position, go to any corner of the chassis and position caster control pedal into the free (level) position (Fig. 2).

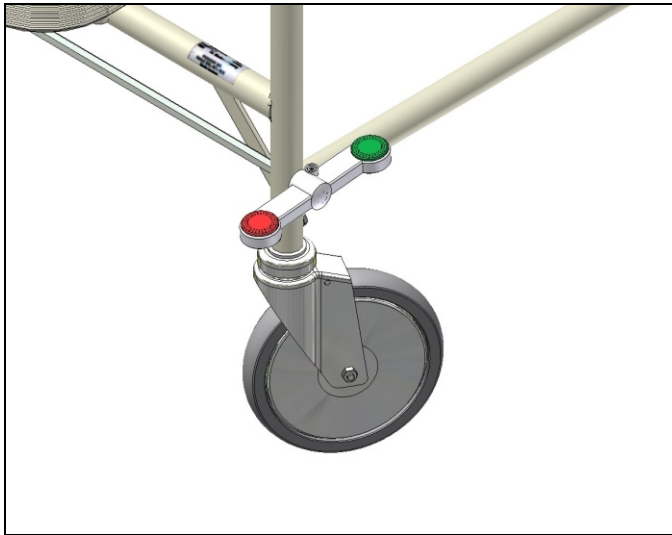


FIGURE 2



FIGURE 3

Push the stretcher from the head end and move it forward approximately 12 inches (30 cm). Depress the green (Steer) foot pedal down approximately 45° to lock as shown in Fig. 3.



WARNING

Failure to engage the steering swivel lock while transporting patients could result in personal injury or equipment damage.

4.2 APPLYING THE BRAKES

The central braking system locks all four wheels. To engage the brakes, go to any corner of the chassis and press the red (Brake) pedal down approximately 45° to lock as shown in Fig. 4. After applying the brakes, try to lightly push the stretcher, it should not roll at all. If it does, remove the patient and discontinue usage of the stretcher until maintenance can be performed.

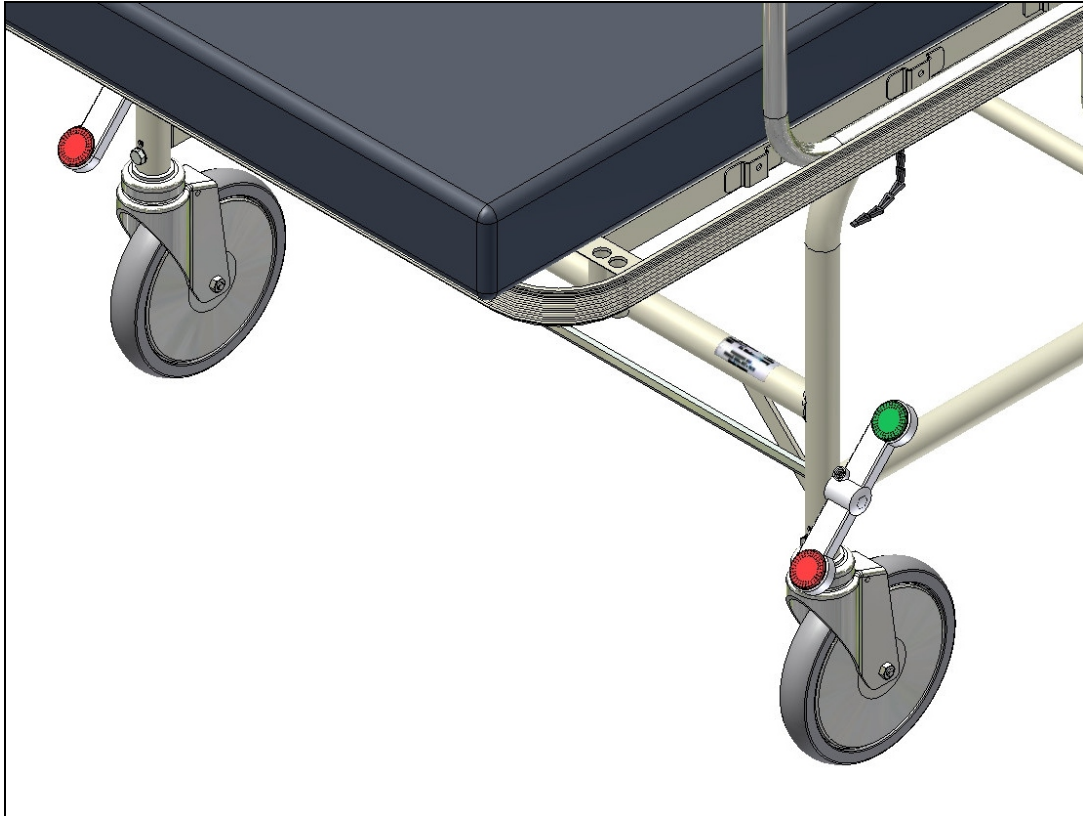


FIGURE 4



WARNING

Failure to make sure the stretcher does not roll with the brakes engaged could result in personal injury or equipment damage.



WARNING

Failure to engage the brakes when the stretcher is unattended could result in personal injury or equipment damage.

4.3 RAISING THE HYDRAULIC FOWLER

Foot pedal controls the elevation of the fowler. It is located at head end of the stretcher. To raise the fowler, push downward on the pedal with your foot. Release and repeat until the fowler is at the desired height (Fig. 5).

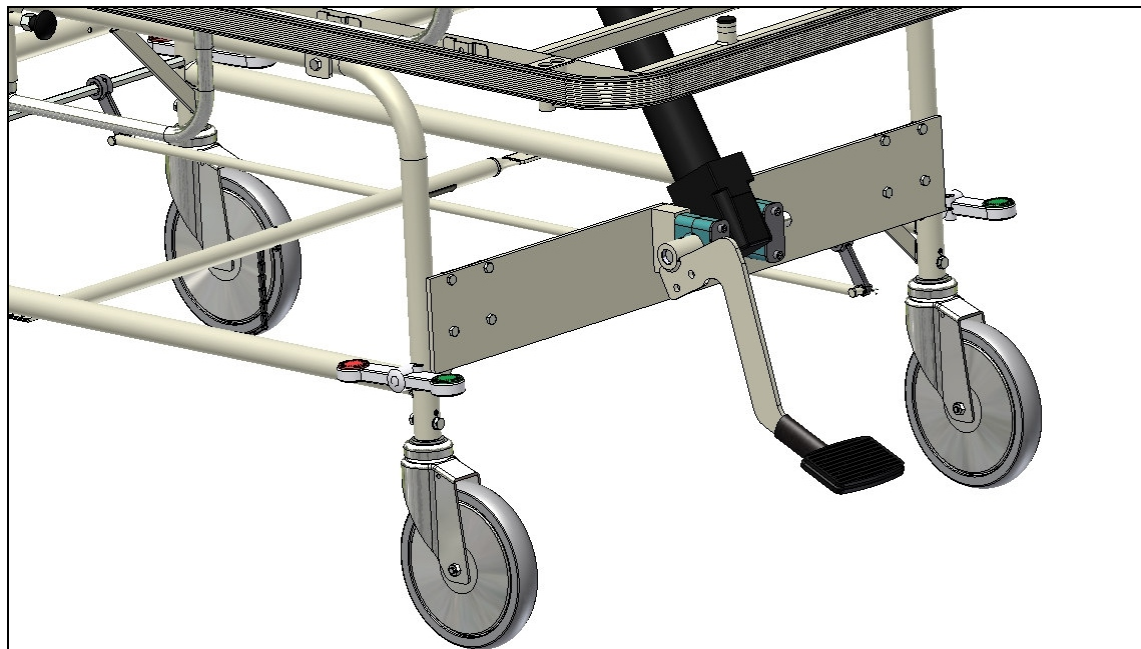


FIGURE 5

4.4 LOWERING THE HYDRAULIC FOWLER

Lift the pump pedal to lower the fowler.

4.5 SIDERAIL OPERATION

To lower side rails; lift up on side rail and pull the latch knob out of engagement, the side rail may now be lowered to a lower position (Fig. 6)

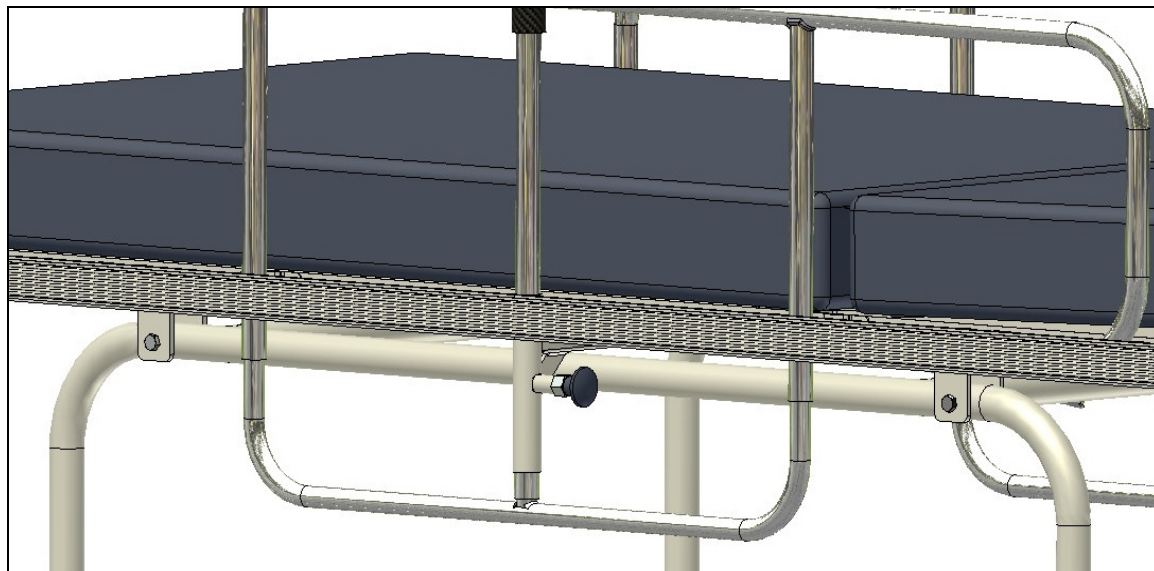


FIGURE 6



WARNING

Failure to assure that latch knob is latched could result in personal injury.

4.6 IV SOCKETS AND ACCESSORY SOCKETS

There are sockets on each corner for mounting extra IV poles or accessories (Fig. 7)

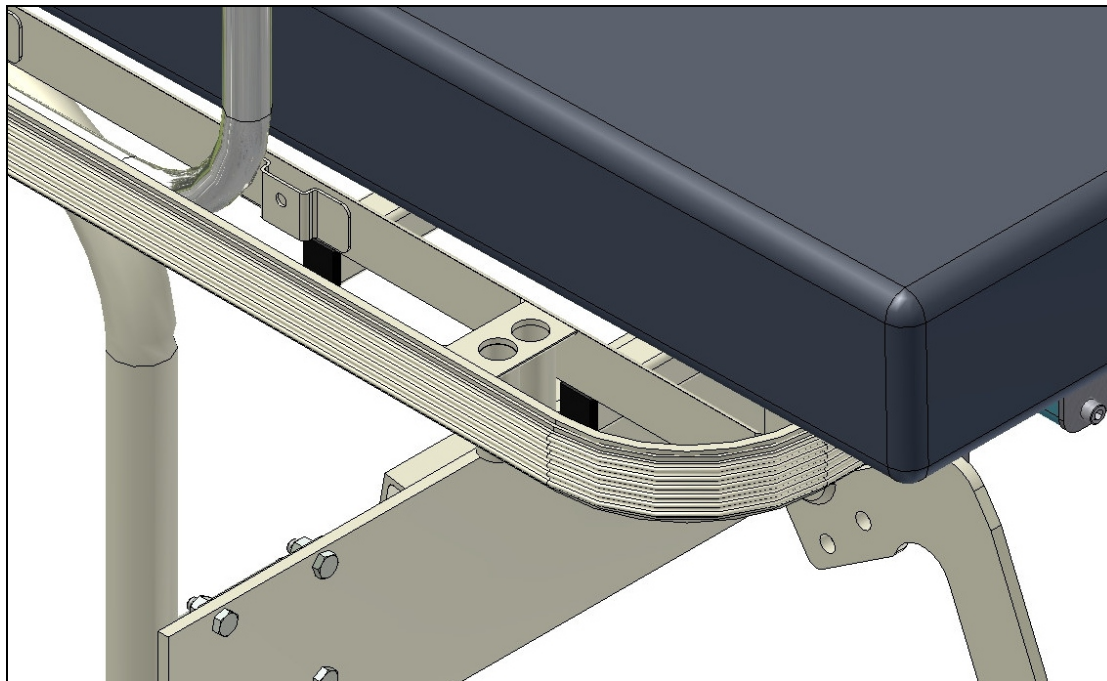


FIGURE 7

5.0 CARE OF STRETCHER

5.1 CARE OF MATTRESS COVER

The mattress cover material is resistant to most medicinal-type stains but may be damaged by solvents and dyes. Daily wiping with damp cloth or sponge and periodic cleaning with mild soap and water should maintain regular care.

Any fluid spilled on the mattress cover should be removed as quickly as possible.

5.2 CARE OF METAL SURFACES

Painted: All painted metal surfaces should be wiped with a clean, soft cloth weekly and should have periodic applications of a paste wax applied to surfaces to preserve the finished luster.

All unpainted metal surfaces should be wiped weekly with a clean, damp cloth.

5.3 CARE OF MOVING PARTS

All moving parts should be lubricated occasionally with light approved oils to help insure quiet, dependable operation.

5.4 MAINTENANCE

Your maintenance department should inspect the stretcher periodically (at least every six months) for proper operation. Lubricate any moving parts and check the hydraulic lift function

5.5 BRAKE PAD ADJUSTMENT

Turn brake pad counterclockwise to increase brake pad pressure on the tire.
Turn clockwise to decrease brake pad pressure on the tire.

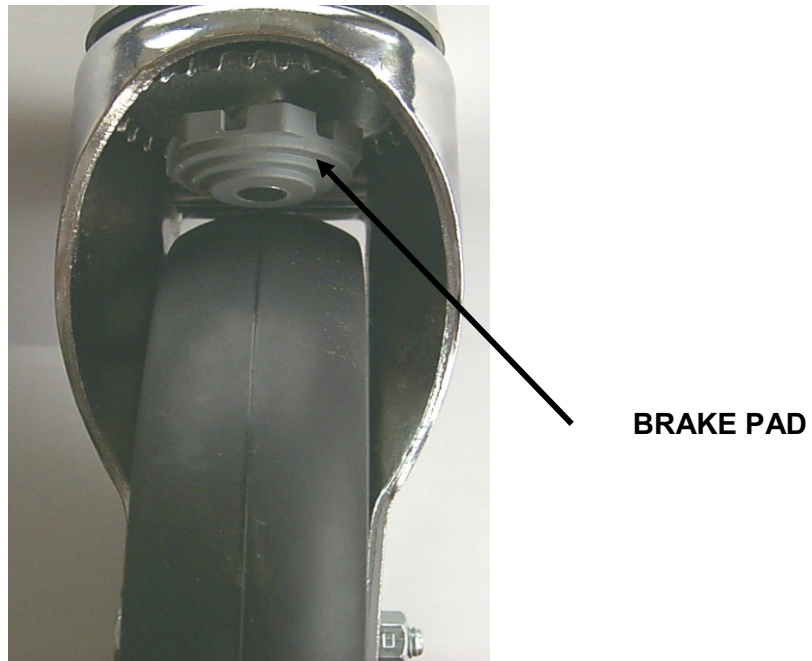
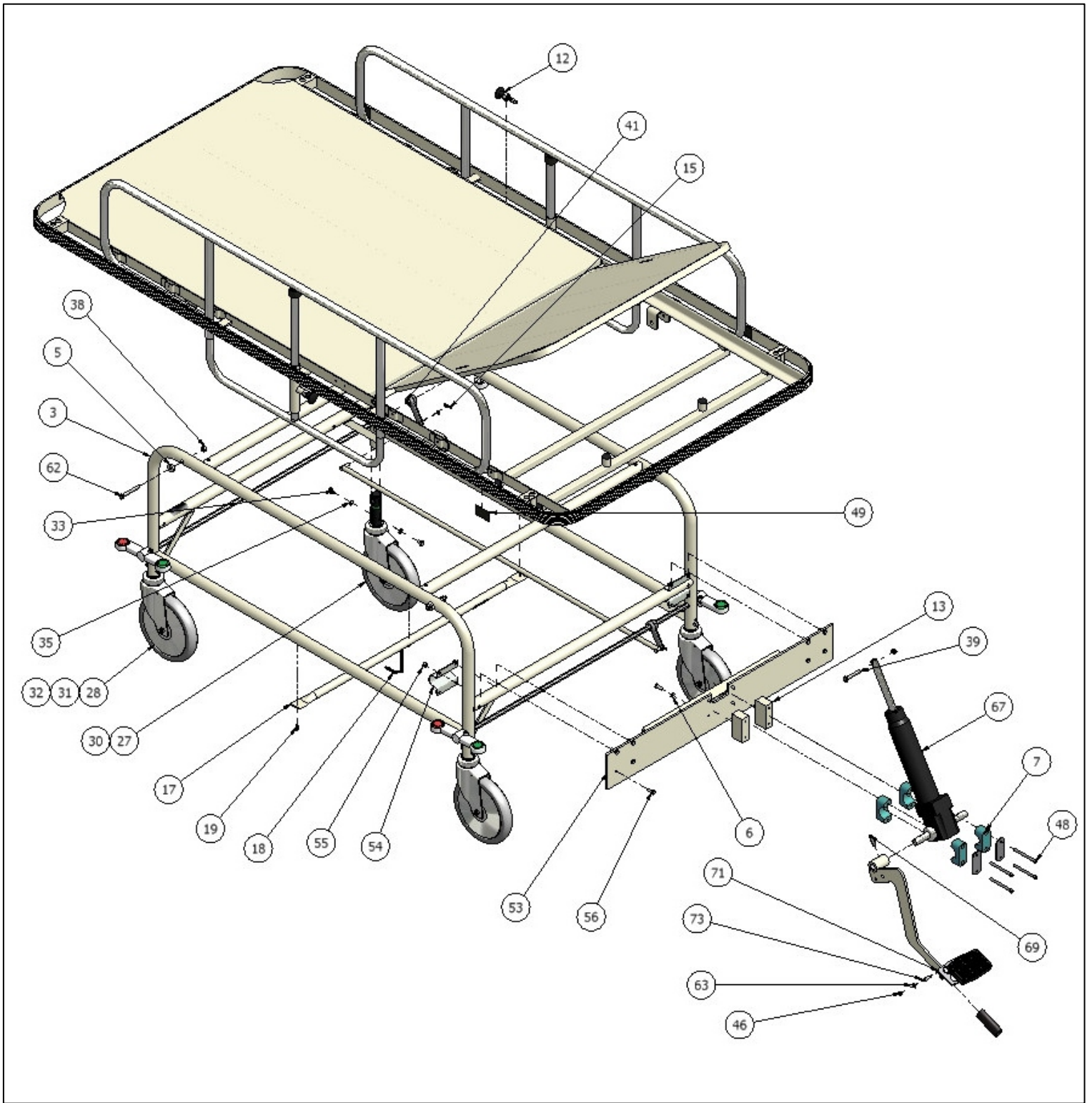
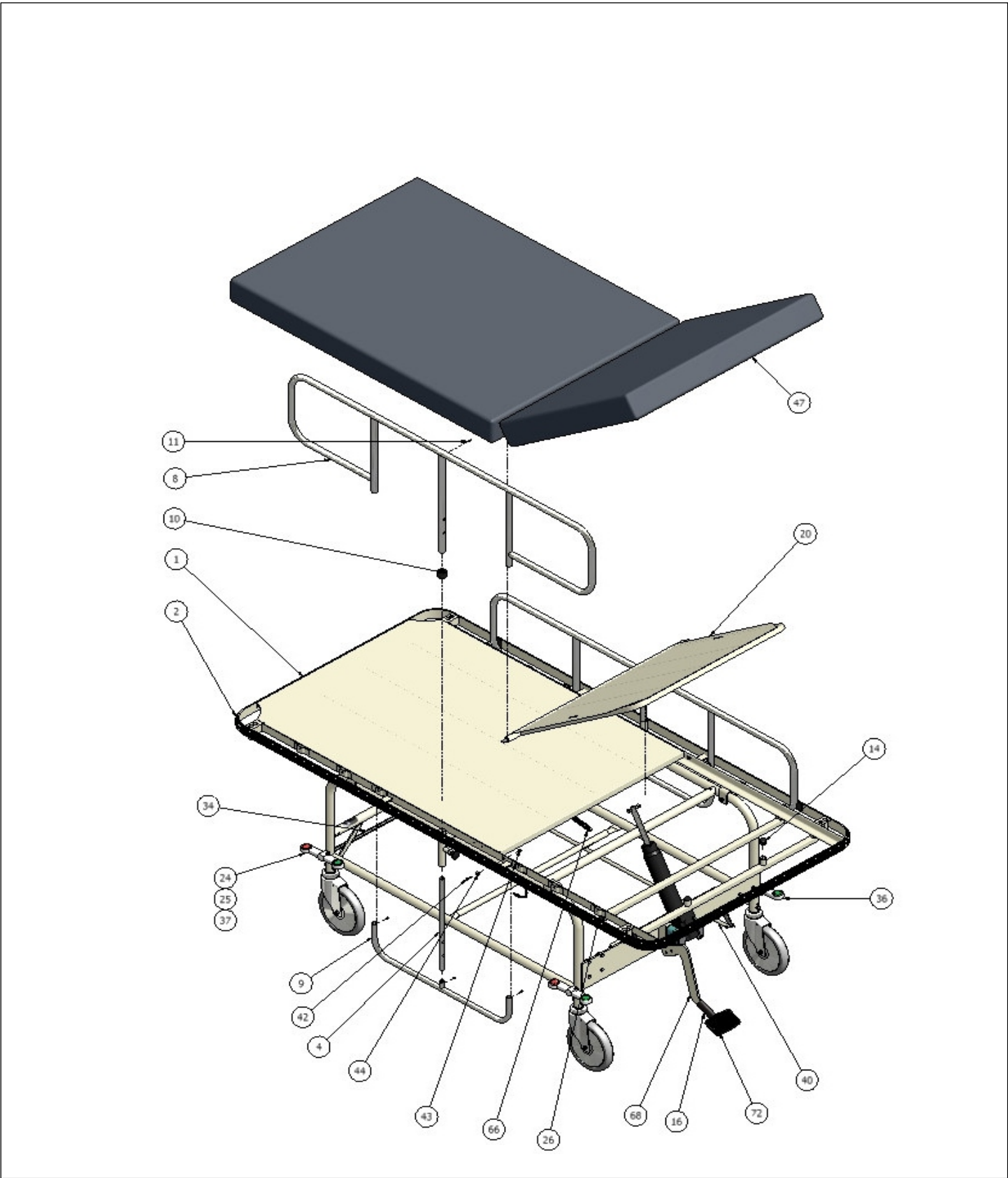


FIGURE 8

5.6 BRAKE PEDAL These may become loose after a period of use and may need to be tightened. There is a setscrew on the hub that requires a 5/32" allen wrench or t-handle wrench in order to tighten pedals.



SERVICE SHEET ITEM NUMBERS



SERVICE SHEET ITEM NUMBERS

6.0 PARTS LIST

SERVICE SHEET

MODEL 1190

REF No.	DESCRIPTION	QTY REQ'D	PART Number	REF No.	DESCRIPTION	QTY REQ'D	PART Number
	Litter Top & Frame			39	Screw, HHC 5/16-18 x 2"	1	P385-1
1	Ass'y., Litter Top	1	20052-3	40	Rod, Connecting	1	20016-3
2	Bumper, Vinyl	3	P24149	41	Lever Connecting	2	P20044
3	Ass'y., Frame	1	RS1023-3	42	Screw, PRH, #10-24 x 5/8"	2	P309
4	Tube, Reinforcement	2	20123-3	43	Nut, Lock, #10-2	2	P545
5	Washer, Nylon, Thin	4	P617	44	Washer, Flat 5/8x17/64x18 Ga.	2	P633
6	Washer, Lock	4	P757	46	Ring, Retaining	2	P1325
7	Ass'y., Cylinder Clamp	2	P24030	47	Mattress Pad	1	10324-13
8	Side Rail, Upper	2	20012	48	Screw, SHC 1/4-20 x 3"	4	26057-10
9	Side Rail, Lower	2	20011	49	Fastern, Hook-6"	1	P1247-6
10	Sleeve, Bumper	2	P1380	53	Ass'y., Lower Mtg.	1	RS1077-3
11	Screw, PPH #6-32 x 1/2"	8	P450	54	Clamp, Jack	2	RS35-2
12	Ass'y., Release Pin	2	RS9154	55	Nut, Lock 1/4-20	8	P537
13	Block, Spacer	2	20528	56	Screw, HHC 1/4-20 x 3/4"	12	P370
14	Cap, Plastic	2	P161	61	OMIT		
15	Pin, Cotter	2	P21052-1	62	Screw, HHC 5/16-18 x 2-1/2"	4	P387
16	Grip, Foam	1	P1110-2	63	Washer, Flat	6	P20378
17	Tube, Conductive Cross	1	20375-4	66	Spring	1	ET600
18	Chain, Conductive	14-3/4"	P1200	67	Jack, Hydraulic	1	P24020
19	Screw, PPHSM #10 x 3/4"	3	P456	68	Arm, Pump	1	24043-3
20	Ass'y., Fowler	1	24050-3	69	Pin, Roll 5/16 x 1-1-1/4"	1	P507
24	Plug, Red	4	20575-1	71	Pedal	1	24156
25	Plug, Green	4	20575-2	72	Pad	1	P24157
26	Cap, Black Plastic	4	P155	73	Pin, Retaining	1	P20274
	8" Caster Ass'y.			74			
27	Complete Steer Caster	1	P20042-2	75			
30	Fork & Stem	1	P20042-1	76			
28	Complete Locking Caster	3	P20041-2	77			
31	Fork & Stem	3	P20041-1	78			
32	8" Caster w/Bearing	4	P937	79			
33	Screw, HHCS, M8 x 10	8	P20043	80			
34	Rod, Hex Cross	2	20013-3				
35	Washer, Star	8	P763				
36	Pedal, Left	2	P20574-L				
37	Pedal, Right	2	P20574-R				
38	Nut, Lock 5/16-18	5	P547				

LIMITED WARRANTY

ConvaQuip will warrant new stretchers to be free from defects in material and workmanship under normal use and service for a period of two (2) years on parts & labor from date of the delivery to the original purchaser, except: the effective time period of this warranty is limited to one (1) year for litter pads, wheels, tires, IV poles and accessories.

Defective parts will be repaired or replaced by the company or its appointed agent. The warranty does not cover damage caused by misuse or negligence, nor does it cover defects or damages by use of unauthorized parts or service by an unauthorized person. This warranty gives you specific legal rights, and you may also have other rights, which vary from state to state.

Do not return merchandise without prior authorization. All correspondence relating to this warranty must indicate Model number and Serial number and be addressed to:

ConvaQuip Ind., Inc.
P.O. Box 3417
Abilene, TX 79604
1-800-637-8436